

2013 SERIES

LIGHTLIFT 20.10

PERFORMANCE III S

Hinowa®

HIGH PERFORMANCE
AND COMPACT
TRACKED AERIAL
PLATFORM



230 kg
capacity!

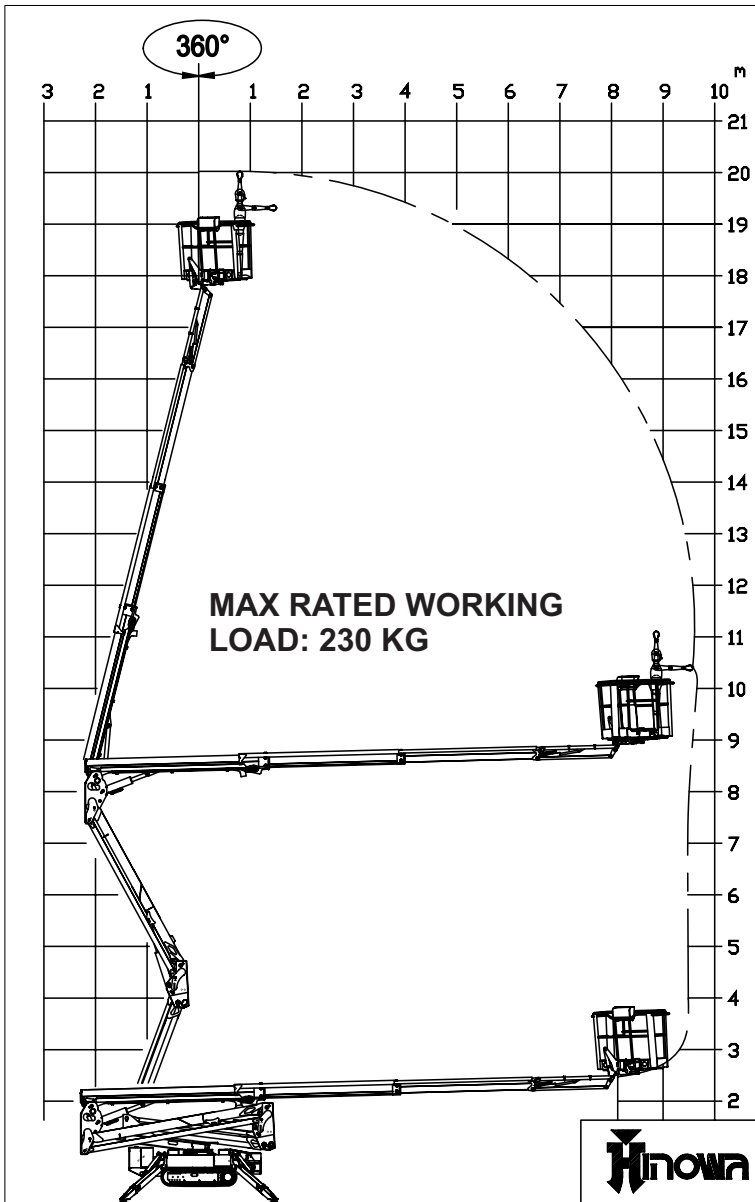
www.hinowa.com

DISTINCTIVE FEATURES

- 230 kg capacity for the whole working area
- Wide working diagram: 20 m working height and 9.7 m continuous outreach with flush with the wall trajectory
- Wide range of motorizations available
- Speed and precision of the movements



PERFORMANCE III



CAPACITY
230 kg

MAX WORKING HEIGHT 20,15 m

MAX HORIZONTAL WORKING OUTREACH 9,70 m

TRANSPORT LENGTH 5,01 m

TRANSPORT LENGTH WITHOUT BASKET AND ROTATED SUPPORT 4,50 m

TRANSPORT HEIGHT 1,99 m

STANDARD CAGE DIMENSIONS 1335x690xh.1100 mm

WEIGHT WITHOUT FUELS AND OIL 2800 kg (with petrol engine)

TOTAL OPERATING WEIGHT 2880 kg (with petrol engine)

THERMIC ENGINE AVAILABLE

- Honda iGX440-12,7HP 3600 rpm
- Perkins 402.05-14HP 3600 rpm

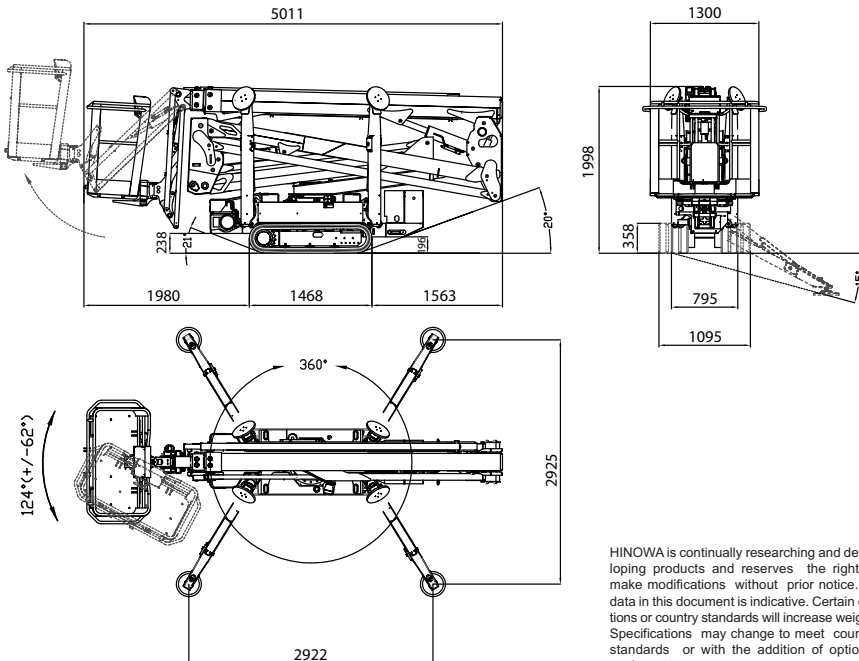
ELECTRIC MOTOR 2,2kw-230V-50Hz (110 optional) 1500rpm

CLOSED MACHINE WIDTH 795 / 1095 mm



ELECTRIC MOTOR WITH LITHIUM BATTERIES

OPTIONAL 90Ah / 72V



HINOWA is continually researching and developing products and reserves the right to make modifications without prior notice. All data in this document is indicative. Certain options or country standards will increase weight. Specifications may change to meet country standards or with the addition of optional equipment.



HINOWA SPA
Via Fontana • 37054 NOGARA • Verona • Italy
Tel. +39 0442 539100 • Fax +39 0442 539075
info@hinowa.com
www.hinowa.com